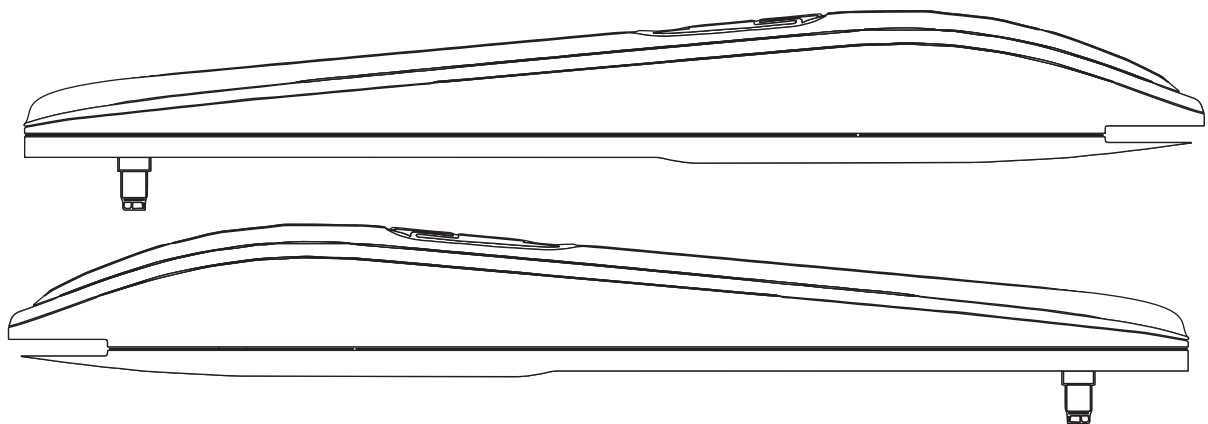




Proteous Series

APC-PS-3000 & PS-6000

Heavy Duty 24V System Actuator Installation Manual

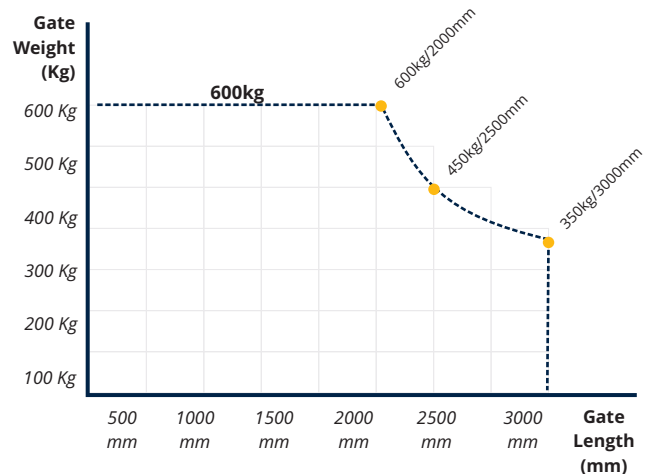


Attention Installer

The manual should be read cover to cover at least once prior to beginning installation

Specifications

	APC-PS-3000	APC-PS-6000 (2x APC-PS-3000)
Max gate length	3m	6m Total (2x3m)
Max gate weight	600kg	600kg Total (300kg x2)
Motor Power Supply	24V DC	24V DC
Peak Thrust	2000N	2000N
Operation Stroke	360/300mm (Internal Stops)	360/300mm (Internal Stops)
Duty Cycle	90%	90%
Protection grade (IP)/ Protection class	IP 44	IP 44
Working temperature/ Operating temperature	-20~+50	-20~+50
Max current (A)	15A	15A
Absorbed power (W)	120W	120W
Manual release	key	key



The above specifications are based on perfect free flowing installations on non-cladded or covered gate using ball bearing hinges.
***Larger sized gates may require an electric lock**

Preliminary Checks

To ensure safety and an efficient automation make sure the following requirements are met:

1. The gate structure must be suitable for automation.
2. Make sure that the gate leaves move properly and uniformly without any irregular friction during their entire travel.
3. The gates hinges must be in good condition with no biting, no rust and must be well greased.
4. The gates should be able to be freely opened and closed before installing the gates automation system.
5. It is strongly suggested to have a gate stop installed for the closed position.

Important Safety Information

Installer and owners should observe the following:

1. Make sure that there is sufficient space for the gate(s) to swing open fully to the desired opening angle.
2. The control Panel Box must be installed in the area within 9 meters maximum cable distance from motor and cannot be damaged.
3. Do not change with parts or components not supplied by the manufacturer, this includes sensors, buttons, solar panels, transformers and any component not listed in the compatibility list.
4. Make sure all wiring works are correct and in good condition before connecting the battery, solar panel or transformer to the control panel.
5. Turn off the power and disconnect the battery when doing any maintenance.
6. Ensure the control panel box is free from water leakage to avoid short circuiting of the control panel.
7. Do not supply mains power directly to the motor, control box or any accessories.
8. Do not install the operating system if in doubt. Contact the manufacturer.
9. Do not cross the gate while it is operating, Safety sensors are only to prevent accidents or injuries.
10. Keep the remote controls in safe place and away from children.

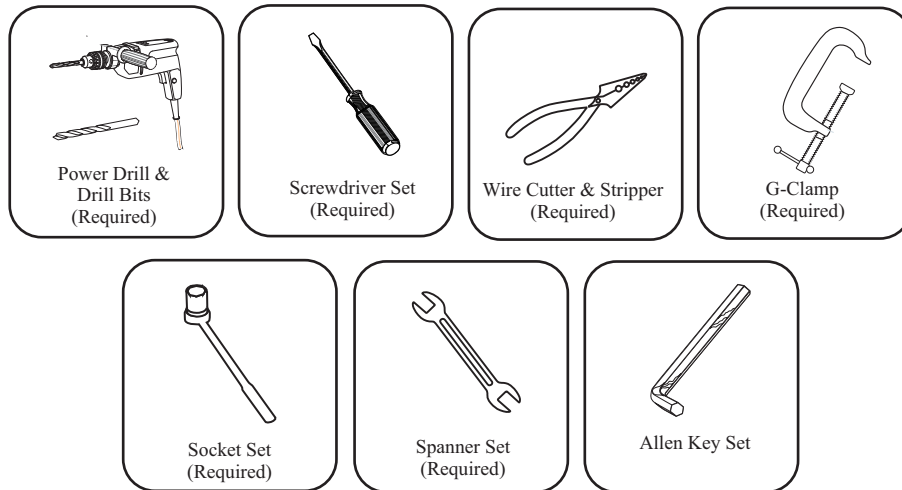
Before beginning installation the manual should be read thoroughly concerning all aspects of the installation including all precautions and safety information.

Proper steps should be taken to ensure efficient and safe installation for vehicles, property and persons within the operators working radius.

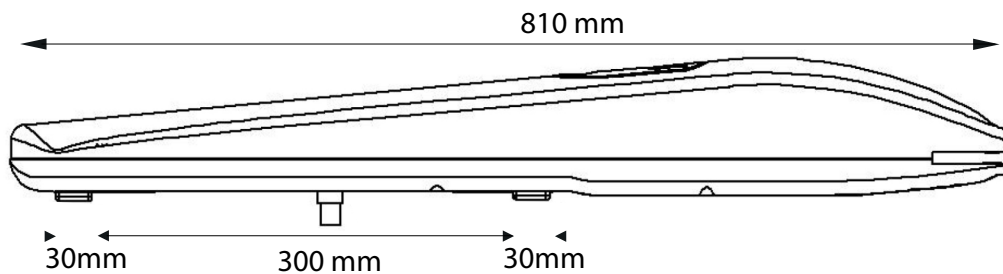
The system is fitted with an over current sensing feature to assist in preventing damages, injuries and death. All precautions must be taken by the installer that adjustments are set correct based on the gates weight, height and length. The system sensitivity should be set to allow consistent operation of the gates under normal operating conditions. This does not include operating against wind. The system may not detect (Over current sense) against light loads such as small object, young children and animals. It is the operators duty to ensure that the area is clear prior to operation. Photo sensors or Reflective sensors should always be installed to assist in accident or death prevention. Rubber edging should be installed onto the gates to assist in dampening any accidents or damages.

You agree to install this product following any and all safety requirements listed in this manual or required under local, state or national regulations. APC Australia, its distributors, stockist or sellers are not liable for any direct, indirect, incidental, special or consequential damages or loss of profit wether based in contract or any other legal theory during the course of warranty or afterwards. If you do not feel capable of properly installing the operator based on the above information or otherwise do not proceed.

Tools Required



Motor Stroke and Dimensions



Clutch Override

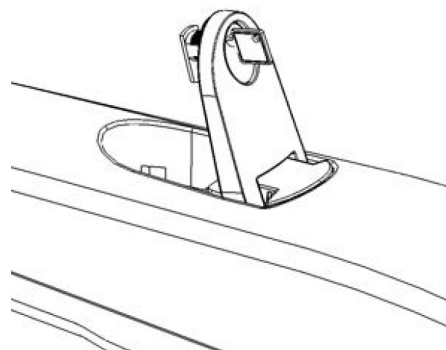
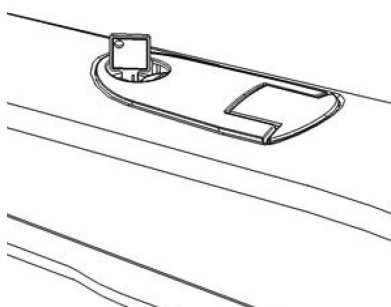
In case of an emergency or requirements during installation the gate can be moved open and close by hand operation if the clutch is disengaged. To disengage the clutch follow the procedure below.

To Disengage

1. Insert the Key and Turn Clockwise
2. Pull the override lever up using the key.

To Engage

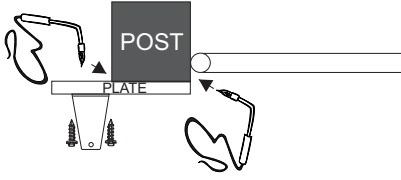
1. Push the override lever down.
2. Turn the Key Counter-Clockwise and remove key.



Post installation methods

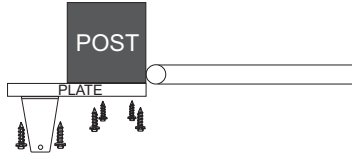
Small Square Post

Welding equipment accessible
Tek Screw Fixing (Not Included)
Using 200x100mm Plate (Not Included)



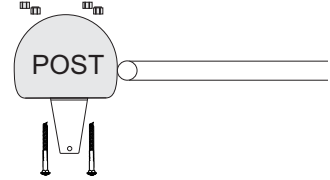
Small Square Post

Welding equipment not accessible
Tek Screw Fixing (Not Included)
Using 200x100mm Plate (Not Included)

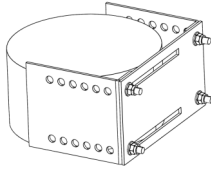


Round Post

Cut to allow square fixing
Coach Bolt Fixing (Not Included)
200x100mm Plate may be required (Not Included)

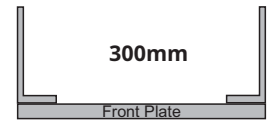
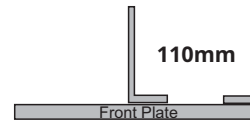
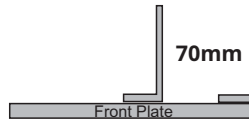


Optional APC-FGB2532 Farm Gate Bracket System



Post Adapter Bracket

Suits Round & Square Posts from 70mm and up to 300mm



Gate Stop Installation

For Single gate systems the gate stop can be installed in two different methods.

1. On the driveway itself at the furthest point from the hinge as illustrated in the diagram below (Fig 1).
2. On the post that the gate will close too (Fig 2).

For Double gate systems the gate stop must be installed in the center of the driveway stopping both gates (Fig 3).

Alternatively the slide stoppers built into the motor can be used after the unit is installed, One stop is supplied with the actuator but a second can be purchased separately, see installation steps.

When installing on the driveway itself it is recommended to use a rubber floor stop to prevent damage to vehicle entering and exiting.

When installing on the post for single gate installations a 90° angle can be used with a rubber padding to dampen or soften the close and prevent damage to the gate.

Single Gate Installation

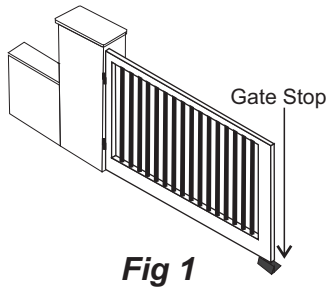


Fig 1

Single Gate Installation

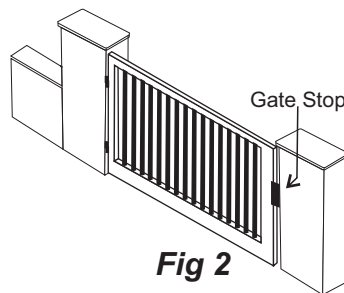


Fig 2

Double Gate Installation

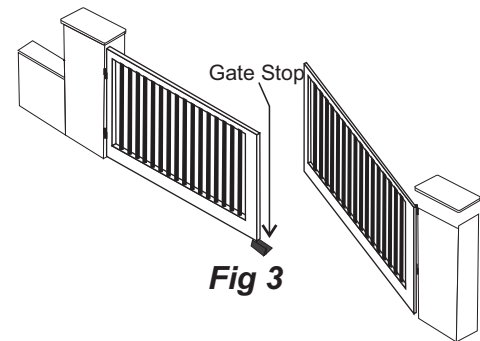
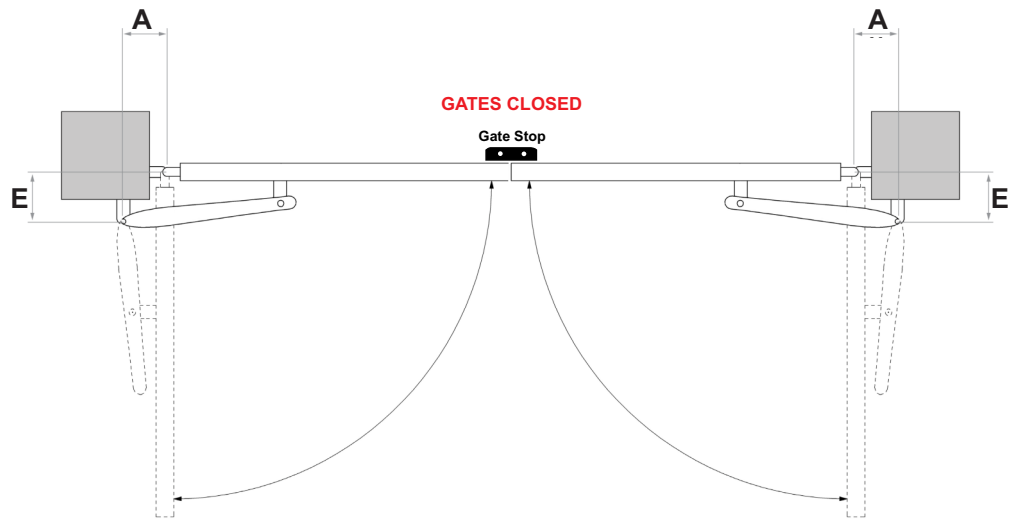


Fig 3

UNDER NO CIRCUMSTANCES SHOULD THE EXPANDED STROKE OF THE MOTOR BE USED AS A LIMIT

Pull to Open Installation

	E [mm]	A [mm]
90°	130	170
	140	165
	150	160
	160	150
	170	150
	180	145
	190	135
	200	130
100°	130	155
	140	150
	150	145
	160	140
	170	140
110°	130	155
	140	155



1

Install the center of the post bracket 54mm higher than the center of your gates horizontal rail using the supplied geometry above.

A diagram shows a horizontal rail and a post bracket. A red dashed line indicates a 54mm vertical offset between the center of the rail and the center of the post bracket.

2

Install the gate bracket on the gate 730mm from its centre to the centre of the post bracket.

A diagram shows a gate with a bracket. A diagonal line indicates a 730mm distance from the center of the gate to the center of the post bracket.

3

Install the actuator on to the post bracket.

A diagram shows an actuator being attached to a post bracket with a screw.

4

Install the actuator on to the gate bracket.

A diagram shows an actuator being attached to a gate bracket with a screw.

5

Open the gate using the manual release.

Adjust the open stopper against the actuators drive and tighten in place. This will set the maximum open position.

A diagram shows the gate in its open position. An arrow points to an open stopper being adjusted against the actuator drive.

6

OPTIONAL CLOSE STOPPER:

Close the gate using the manual release.

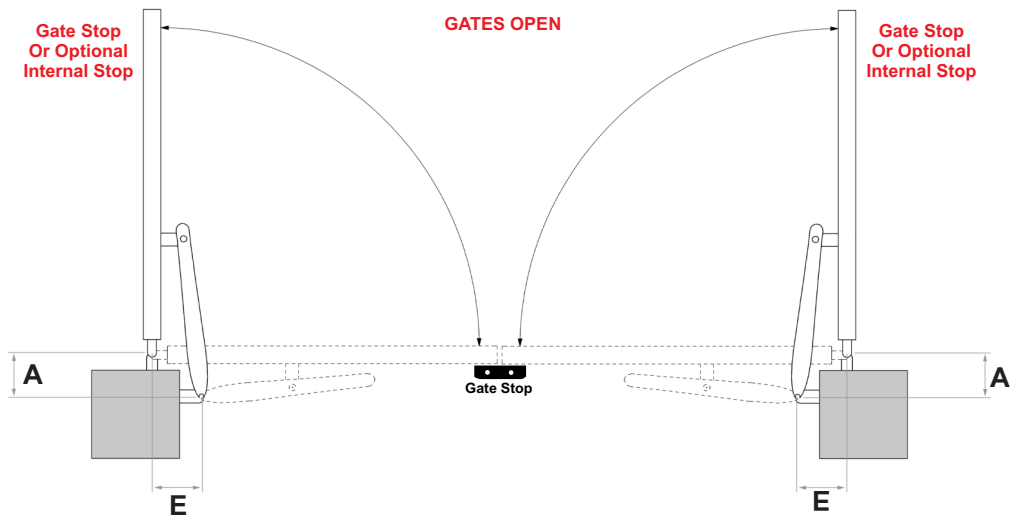
Install and adjust the close stopper against the actuators drive and tighten in place. This will set the maximum close position.

A diagram shows the gate in its closed position. An arrow points to an optional close stopper being adjusted against the actuator drive.

Repeat the above steps for the second gate motor if applicable

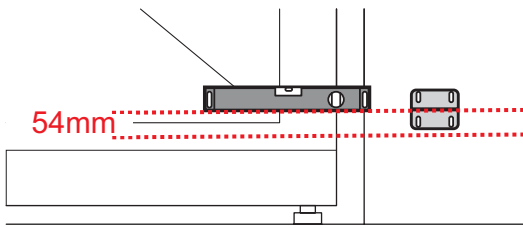
Push to Open Installation

	E [mm]	A [mm]
90°	130	170
	140	165
	150	160
	160	150
	170	150
	180	145
	190	135
100°	200	130
	130	155
	140	150
	150	145
	160	140
110°	170	140
	180	135
	130	155
	140	155



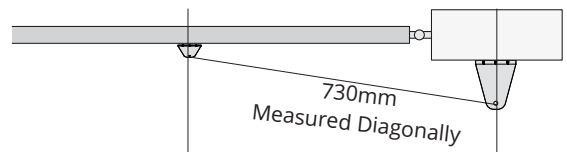
1

Install the center of the post bracket 54mm higher than the center of your gates horizontal rail using the supplied geometry above.



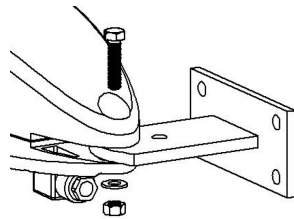
2

Install the gate bracket on the gate 730mm from its centre to the centre of the post bracket.



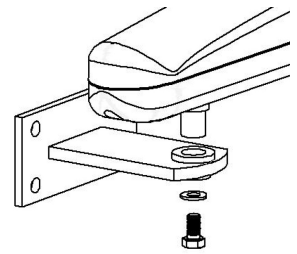
3

Install the actuator on to the post bracket.



4

Install the actuator on to the gate bracket.

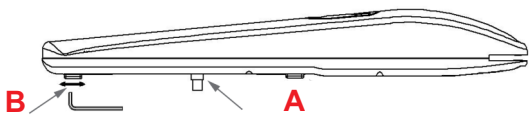


5

Open the gate using the manual release.

Remove and Install the built in stopper from position A to Position B.

Adjust the open stopper against the actuators drive and tighten in place. This will set the maximum open position.

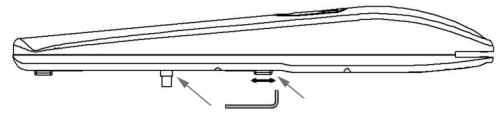


6

OPTIONAL CLOSE STOPPER:

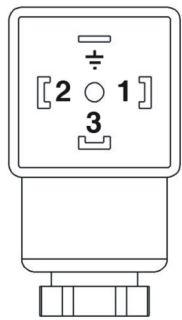
Close the gate using the manual release.

Install and adjust the close stopper against the actuators drive and tighten in place. This will set the maximum close position.

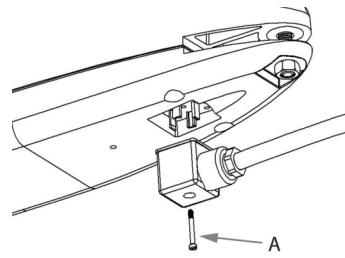


Repeat the above steps for the second gate motor if applicable

Wiring



- 1 - MOTOR (+)
- 2 - MOTOR (-)
- 3 - NOT USED
- 4 - NOT USED



Connect the RED wire to terminal 1 (+)
Connect the BLACK wire to terminal 2 (-)

Plug in the connector ensuring the rubber boot is between the body and the connector.

Fix in place using the supplied screw.

Control Board Connection

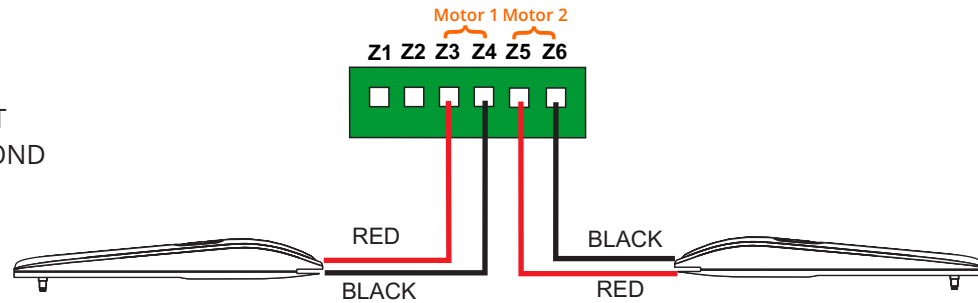
Pull-To-Open

Motor will be pulling the gate towards it for OPENING.

Gates (Left and Right) are based on observation of the gates from the same side the motors will be installed on.

Pull-To-Open

Motor 1 Opens FIRST
Motor 2 Opens SECOND



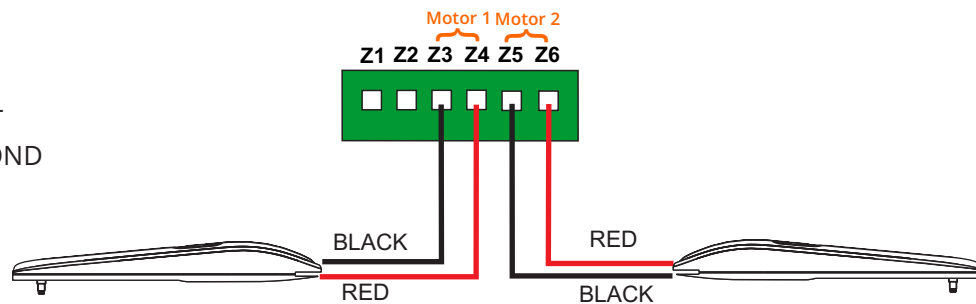
Push-To-Open

Motor will be pulling the gate towards it for CLOSING.

Gates (Left and Right) are based on observation of the gates from the same side the motors will be installed on.

Push-To-Open

Motor 1 Opens FIRST
Motor 2 Opens SECOND



Please follow the above motor connections then proceed to the control panel manual.



APC WARRANTY

APC warrants the original purchasers or the APC gate(s) opening system for a period of twelve months from the date of purchase (not installation), the product shall be free of defects in materials and workmanship under normal use.

During the warranty period, APC shall, as its option, repair or replace any defective product upon return of the product to its factory, at no charge for labour and materials.

Any replacement and/or repaired parts are warranted for the remainder of the original warranty,

The original owner must promptly notify APC in writing that there is defect in material or workmanship, such written notice must be received in all events prior to expiration of the warranty.

International Warranty

APC shall not be responsible for any freight fees, taxes or customs fees.

Warranty Procedure

To obtain service under this warranty, AND AFTER CONTACTING APC, please return the item(s) in question to the point of purchase.

All authorized distributors and dealers have a warranty program, anyone returning goods to APC must first obtain an authorization number. APC will not accept any shipment for which prior authorization has not been used.

Conditions to Void Warranty

This warranty applies only to defects in parts and workmanship relating to normal use. It does not cover:

- Damage incurred in shipping or handling
- Damage caused by disaster such as fire, flood, wind, earthquake or lightning
- Damage due to causes beyond the control of APC such as excessive voltage, mechanical shock or water damage
- Damage caused by unauthorized attachment, alterations, modifications, or foreign objects.
- Damage caused by peripherals (unless such peripherals were supplied by APC)
- Defects caused by failure to provide a suitable installation environment for the products
- Damage caused by usage of the products for purpose other than those for which it was designed.
- Damage from improper maintenance
- Damage arising out of any other abuse, mishandling, and improper application of the products.

Under no circumstances shall APC be liable for any special, incidental, or consequential damages based upon breach of warranty, breach of contract, negligence, strict liability, or any other legal theory. Such damages include, loss of profits, loss of the product or any associated equipment, cost of capital, cost of substitute or replacement equipment, facilities or services, down time, purchaser's time, the claims of third parties, including customers, and injury to property.

Disclaimer of Warranties

This warranty contains the entire warranty and shall be in lieu of any and all other warranties, whether expressed or implied (including all implied warranties of merchantability or fitness for a particular purpose). And of all other obligations or purporting to act on its behalf to modify or to change this warranty, nor to assume for it any other warranty or liability concerning this product.

Out of Warranty Repairs

APC will at its option repair or replace out-of-warranty products which are returned to its factory according to the following conditions. Anyone returning goods to APC must first obtain an authorization number.

APC will not accept any shipment whatsoever for which prior authorization has not been obtained. Products which APC determines to be repairable will be repaired and returned. A set fee which APC has been predetermined and which may be revised from time to time will be charged for each unit repaired. Products which APC determines not repairable will be replaced by the nearest equivalent product available at that time. The current market price for the replacement product will be charged for each replacement unit.